



**MEGA FORTRIS**  
G R O U P

## **HIGH SECURITY SEAL** **CONTAINER BOLT LOCK (CBL)**

Container Bolt Seal

*Two options for greater security.*

Container Bolt Lock complies to ISO 17712 and CTPAT with it featuring two types of pins to counter forced removal. Made of hardened steel, it gives greater strength and reinforced security. It is truly the fundamental piece for high-value assets securing.

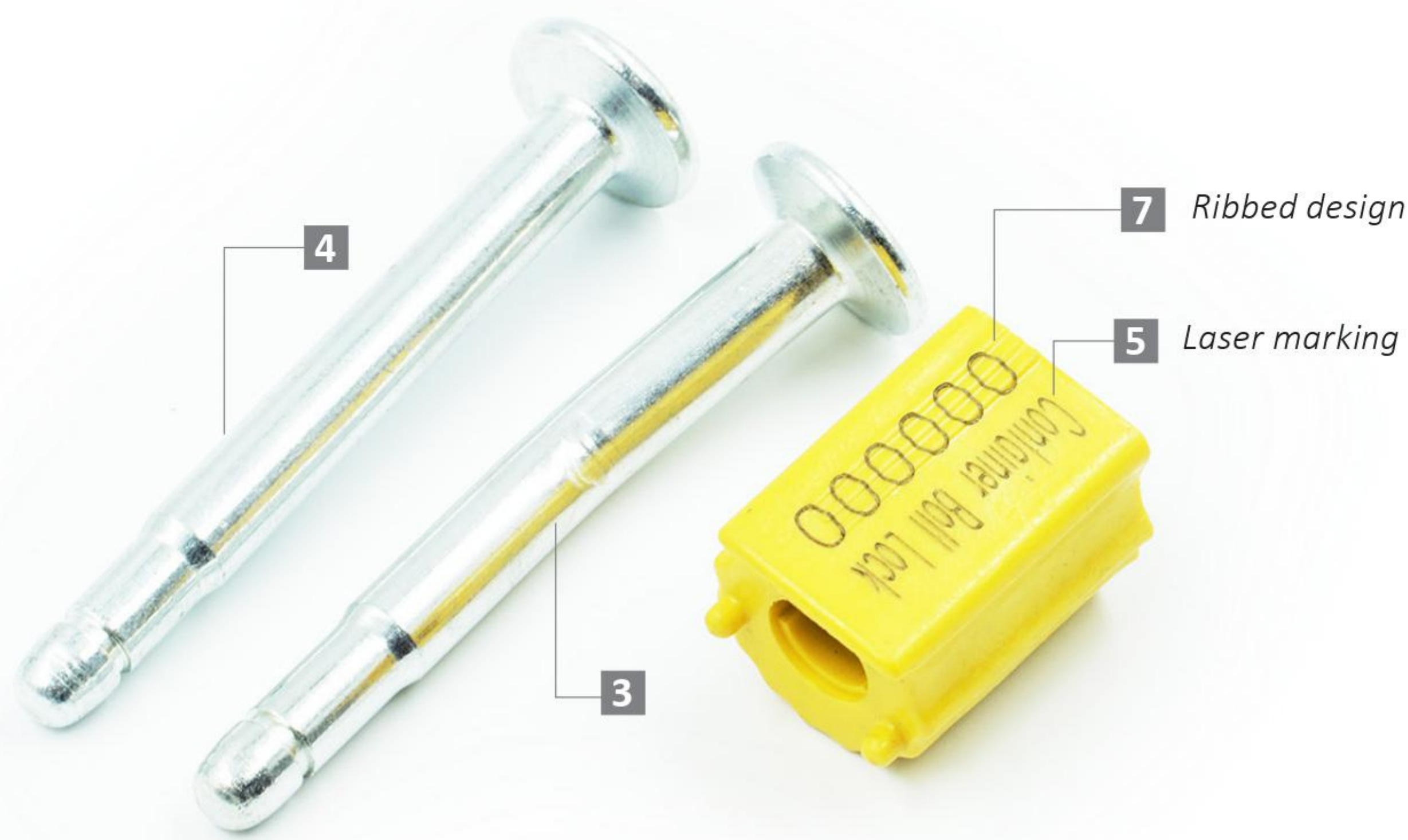
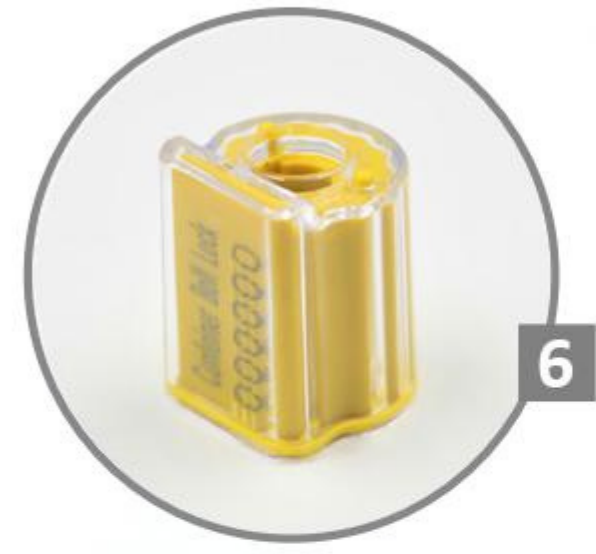
### Applications:

- Containers
- Trucks
- Trailers
- Rail Cars



PREVENTION · PROTECTION · PEACE OF MIND

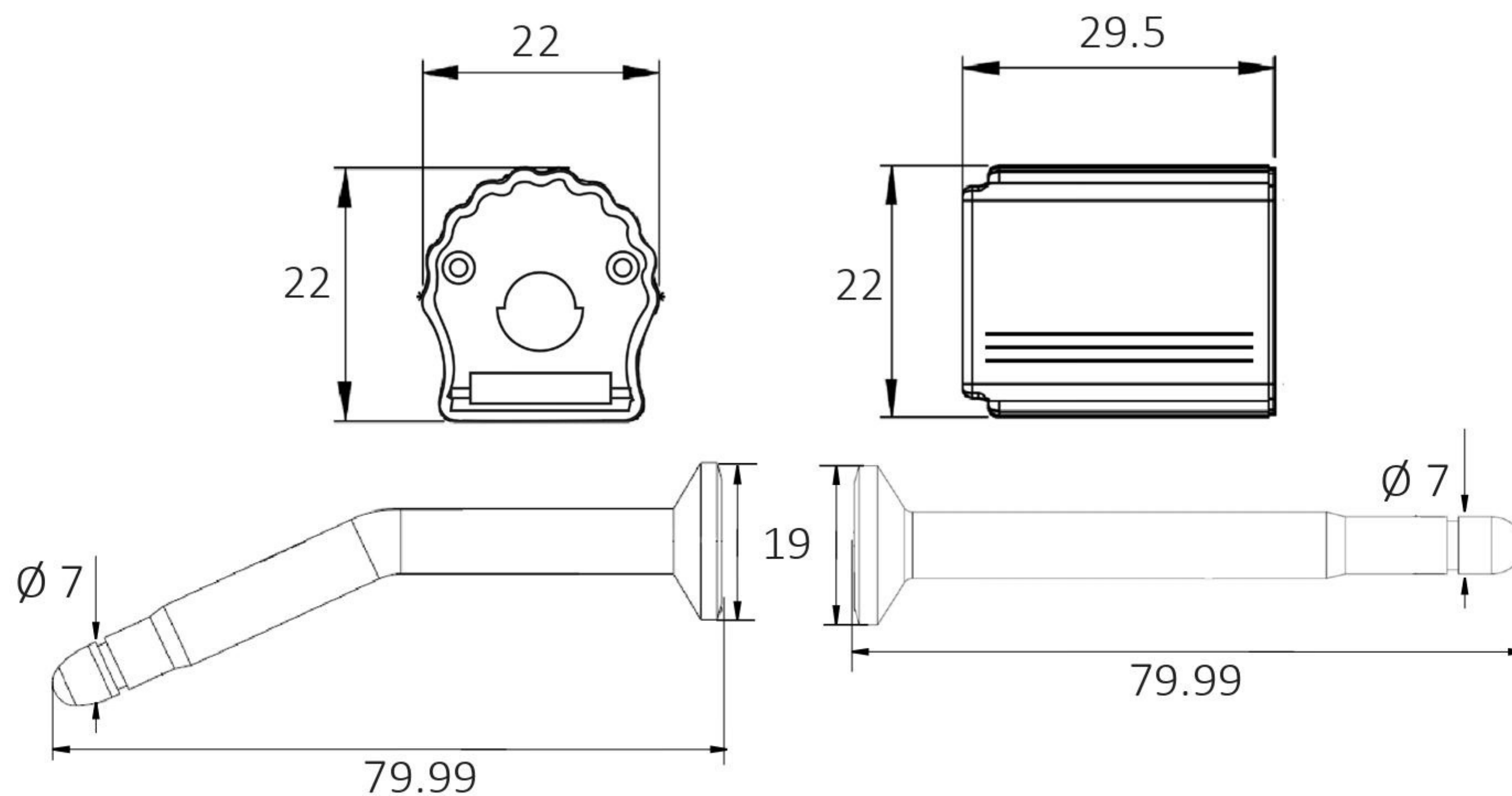




LASER MARKING OPTION



- 1 The Container Bolt Lock is made of hardened steel pin and bush. High-impact PP material is moulded over the bush to form into a plastic barrel for durability while withstanding extreme weather conditions of -20°C to 80°C.
- 2 The pin is available in angled or straight option for various applications and requirements.
- 3 Angled pin is stronger to counter force removal and advisable for bent door latches.
- 4 Straight pin is rigid and versatile with its securing ability guaranteed.
- 5 Irreversible identifiers such as name, logo, barcode, serial number and QR code are laser-marked on the barrel for higher security.
- 6 An optional transparent cover on the barrel further secures the identifier and provides high visibility.
- 7 Biodegradable additives for the plastic material are available. Ribbed design on the barrel prevents tampering on the identifier.
- 8 The seal is designed, tested and certified ISO 17712:2013.



TECHNICAL SPECIFICATIONS

PRODUCT - CONTAINER BOLT LOCK (CBL)

Code	Material	Locking Length	Cable Diameter	Tensile Strength	Marking Area	Max Marking Digits
CBL	<b>Plastic :</b> High-impact Polypropylene (PP) <b>Pin &amp; Bush :</b> Hardened Steel	51 mm (2.0 in)	$\varnothing 7$ mm (0.3 in)	$\geq 1000$ kgf ( $\geq 2204.6$ lbf)	14 x 25 mm (0.6 x 1.0 in)	<b>Serial no : 8</b> <b>Barcode : 8</b>

PACKAGING

Carton	Quantity	Dimensions (mm)	Gross Weight (kg)	Volume (m <sup>3</sup> )	Standard Solid Colours
Inner	250	300 x 270 x 160 (11.8 x 10.6 x 6.3 in)	15.15 (33.07 lb)	0.013 (0.5 cu.ft.)	Body : <span>WH</span> <span>BL</span> <span>YL</span> <span>GN</span> <span>OR</span> <span>RD</span>

For colour customisations, kindly contact us for further information.

Updated Date : 26 November 2020