

MEGA FORTRIS
G R O U P

HIGH SECURITY SEAL

Mega Lock (ML), Mega Lock 2K (ML 2K), Mega Flexi Lock (MFL)

Fixed Locking Barrier Seal

Epitome combination for absolute security.

Mega Lock series is a combination structure of a container bolt and a cable barrier seal to achieve robust security for high-value assets. With precisely designed locking mechanism and cable length, it is strong and durable for all securing purposes.

This seal complies to ISO 17712 and CTPAT with clear evidence of tampering from its innovatively designed anti-spinning pin and barrel.

Applications:

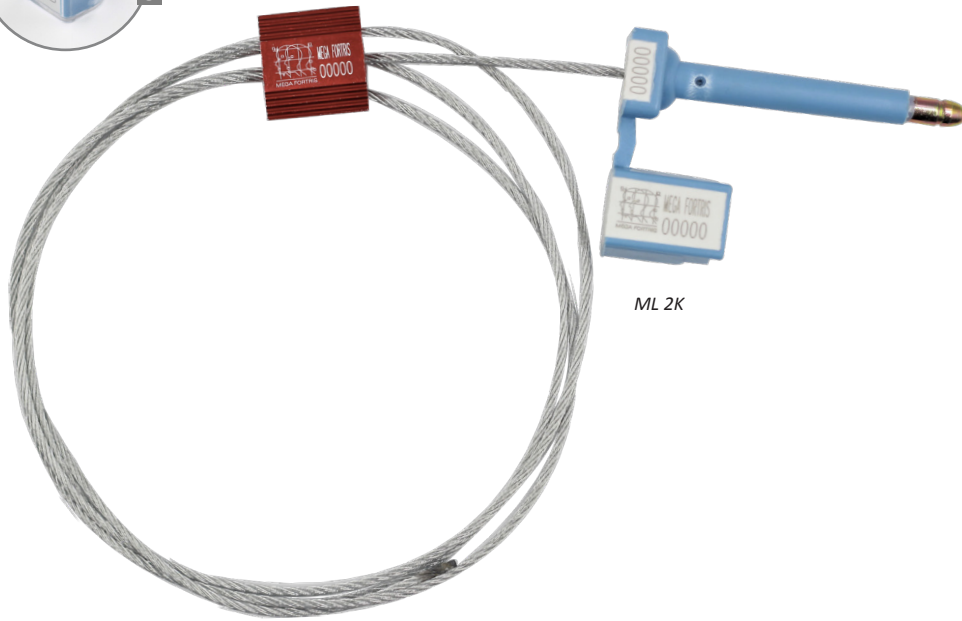
- Containers
- Trucks
- Trailers
- Rail Cars



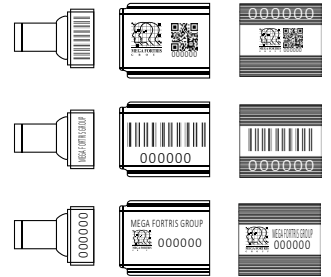
PREVENTION · PROTECTION · PEACE OF MIND



The depicted seal is for illustration purposes only.



LASER MARKING OPTION

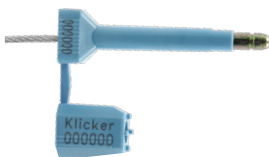


VIEW APPLICATION GIF



- 1 Mega Lock is a structure of container bolt seal and MCL 250, connected with non-preformed galvanised steel wire that unravels upon cutting to show clear evidence of tampering.
- 2 Double locking mechanisms on the seal provide an extensive locking to secure the assets and provide clear evidence of tampering.
- 3 MCL 250 consists of an aluminium body and galvanised steel wire that is pulled to tightly secure assets and provide clear tell-tale signs of tampering.
- 4 The rib exterior is designed to protect the laser markings during rough handling with anodisation of solid colour for colour coding.
- 5 Irreversible identifiers such as name, logo, barcode, serial number and QR code are laser-marked for further identification security and to prevent parts substitution or replacement.
- 6 Container bolt seals feature an anti-spinning locking mechanism that allows only one-way entry and hinders friction from external force.
- 7 Hardened steel pin and bush are moulded in high-impact plastic material to form into a durable pin and plastic barrel while withstanding extreme weather conditions of -20°C to 80°C. Pin and barrel are paired engraved for easier handling.
- 8 Biodegradable additives for plastic material and optional high visibility transparent cover on the barrel are available.
- 9 The seal is designed, tested and certified ISO 17712:2013.
- 10 The options available for container bolt seal are Klicker, Klicker 2K, and Flexiklick.

Klicker (ML)



Ribbed design on the barrel prevents tampering on the identifier.

Klicker 2K (ML 2K)



Two colours on the Klicker 2K pin and barrel improve laser marking definition, visibility, and identification.

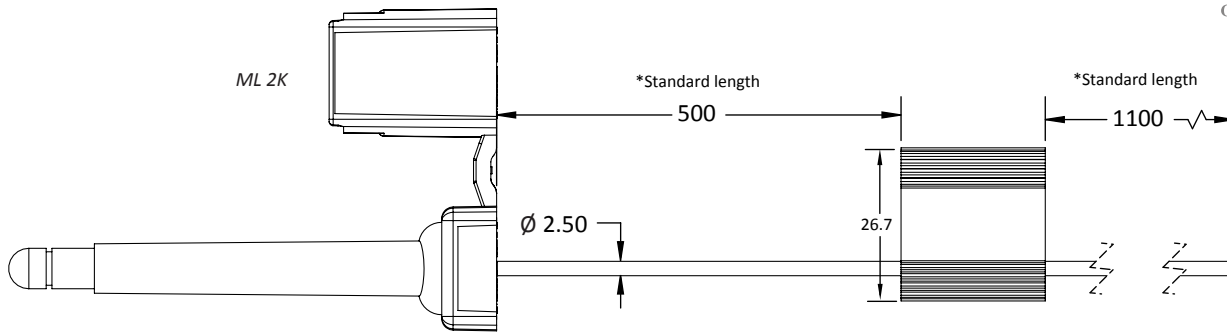
Flexi Klick (MFL)



The seal is safer to cut and provides excellent protection against crude tools for its extra-long flexible steel wire cable pin. The pin will bend upon impact.

Wavy surface on the pin and ribbed design on the barrel prevents tampering on the identifier.

Updated Date : 17 January 2023



TECHNICAL SPECIFICATIONS

**Customisable cable length upon request.*

PRODUCT - MEGA LOCK (ML), MEGA LOCK 2K (ML 2K), MEGA FLEXI KLICK (MFL)

Code	Material	Locking Length	Locking Size	Tensile Strength	Marking Area	Max Marking Digits
ML		55 mm (2.2 in)	∅ 7 mm (0.3 in)	≥1000 kgf (≥2204.6 lbf)	Pin: 5 x 45 mm (0.2 x 1.8 in) Barrel: 10 x 24 mm (0.4 x 0.9 in)	Serial no: 8 Barcode: 8
		180 mm (7.1 mm)	∅ 2.5 mm (0.1 in)	≥280 kgf (≥617.3 lbf)	Body: 0.9 x 21 mm (0.03 x 0.8 in)	Serial no: 6 Barcode: 7
ML 2K	Plastic: High-impact Polypropylene (PP) Pin & Bush: Hardened Steel Cable Body: Aluminium Cable: Galvanised Steel Wire	52 mm (2.2 in)	∅ 7 mm (0.3 in)	≥1000 kgf (≥2204.6 lbf)	Pin: 5 x 12 mm (0.2 x 0.5 in) Barrel: 10 x 24 mm (0.4 x 0.9 in)	Serial no: 8 Barcode: 8
		180 mm (7.1 mm)	∅ 2.5 mm (0.1 in)	≥280 kgf (≥617.3 lbf)	Body: 0.9 x 21 mm (0.03 x 0.8 in)	Serial no: 6 Barcode: 7
MFL		79 mm (3.1 in)	∅ 8 mm (0.3 in)	≥1000 kgf (≥2204.6 lbf)	Pin: 7 x 18 mm (0.3 x 0.7 in) Barrel: 15 x 25 mm (0.6 x 1.0 in)	Serial no: 8 Barcode: 8
		180 mm (7.1 mm)	∅ 5 mm (0.2 in)	≥1000 kgf (≥2204.6 lbf)	Body: 14 x 30 mm (0.55 x 1.2 in)	Serial no: 6 Barcode: 7

PACKAGING

Carton	Quantity	Dimensions (mm)	Gross Weight (kg)	Volume (m ³)	Standard Colours
ML Inner	50	300 x 270 x 160 mm (11.8 x 10.6 x 6.3 in)	5.855 (12.9 lb)	0.013 (0.5 cu. ft.)	Plastic : WH PSYL PSOR PSRD PSBL PSGN Aluminium : G R B BK GD SC
ML 2K Inner	50	300 x 270 x 160 mm (11.8 x 10.6 x 6.3 in)	6.000 (13.2 lb)	0.013 (0.5 cu. ft.)	
MFL Inner	50	300 x 270 x 160 mm (11.8 x 10.6 x 6.3 in)	8.310 (18.3 lb)	0.013 (0.5 cu. ft.)	

For colour customisations, kindly contact us for further information.

Carton size and weight vary according to cable length. Figures shown in the table are for the standard cable length packaging. Please contact us for additional details.

Updated Date : 17 January 2023