



INDICATIVE SEAL

TRIPLE LOCK CASINO SEAL (TLCS)

Application Seal

Two-colour body in a nifty designed body for indication security.

Triple Lock Casino Seal is innovatively developed with two colour moulding technology, a patent of Mega Fortris. The seal is delicately designed with a specific breaking point for quick removal and tamper-evidence. It remains close to the application surface after sealing, and is sturdy enough to secure assets during rough handling.

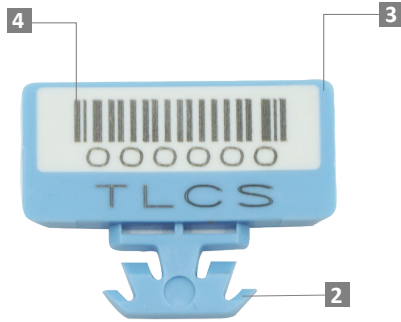
Applications:

- Casino & Gaming
- Evidence Securing
- Retail Applications
- Banking



PREVENTION · PROTECTION · PEACE OF MIND





LASER MARKING OPTION

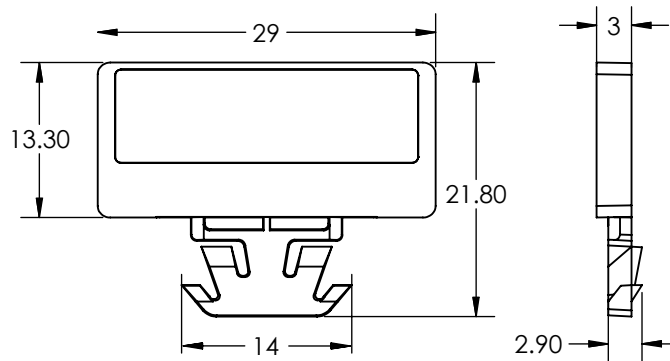


MEGA FORTRIS GROUP
000000

VIEW APPLICATION GIF



- 1 Triple Lock Casino Seal is moulded with two colours Polypropylene (PP) material for durability and clear tamper-evidence.
- 2 One-way snap-on locking mechanism of this seal allows quick and tight sealing, as well as tamper-evidence upon removal.
- 3 Two colours on the body improved laser markings definition, visibility, and identification.
- 4 Irreversible identifiers such as name, logo, barcode, serial number and QR code are laser-marked on the flap.
- 5 Colour coding is possible with our standard range of colour options available for the seal.
- 6 Biodegradable additives for plastic material are available.
- 7 The latest design of the new generation allows for more marking space.



TECHNICAL SPECIFICATIONS

PRODUCT - TRIPLE LOCK CASINO SEAL (TLCS)

Code	Material	Locking Size	Tensile Strength	Marking Area	Max Marking Digits
TLCS	Plastic : Polypropylene (PP)	14.3 mm (0.563 in)	≤ 5 kgf (11.0 blf)	10 x 22 mm (0.39 x 0.87 in)	Serial no : 8

PACKAGING

Carton	Quantity	Dimensions (mm)	Gross Weight (kg)	Volume (m ³)	Standard Pastel Colours
Inner	4000	314 x 158 x 235 (12.4 x 6.2 x 9.3 in)	5.62 (12.4 lb)	0.012 (0.424 cu. ft.)	Body : <input type="button" value="WH"/> <input type="button" value="PSYL"/> <input type="button" value="PSOR"/> <input type="button" value="PSRD"/> <input type="button" value="PSBL"/> <input type="button" value="PSGN"/> Marking flap : <input type="button" value="WH"/>

For colour customisations, kindly contact us for further information.

Updated Date : 30 March 2022