



**MEGA FORTRIS**  
G R O U P

## SECURITY SEAL

# MINI CABLE LOCK ZINC 250 (MCLZ 250)

Pull-Tight Barrier Seal

***Bright colours for defined identification.***

Mini Cable Lock Zinc 250 is a security cable seal with a special entry point designed to prevent tampering attacks. The seal has a vibrant plastic moulded body, allowing distinctive identification and security. Biodegradable option for the plastic material is available.

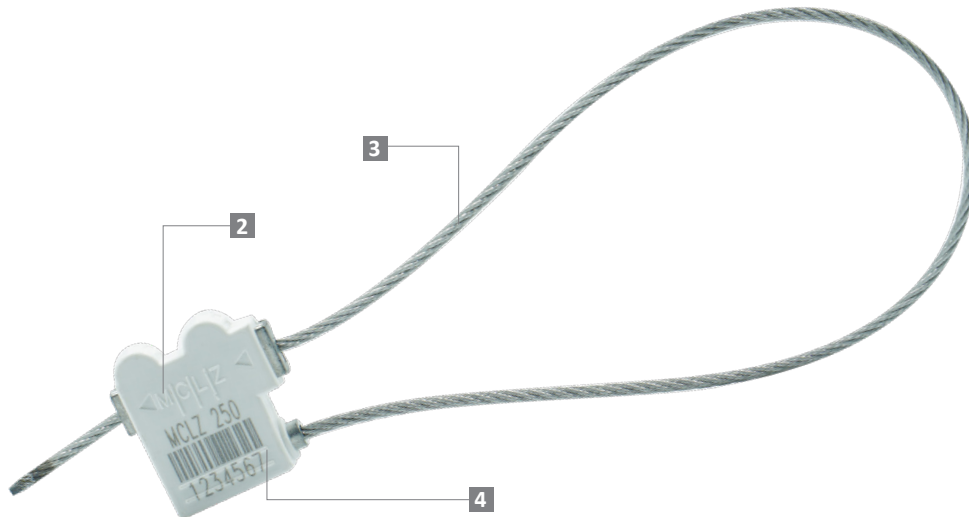
### Applications:

- Valve Sealing
- Retail Applications
- Logistics
- Banking



PREVENTION · PROTECTION · PEACE OF MIND





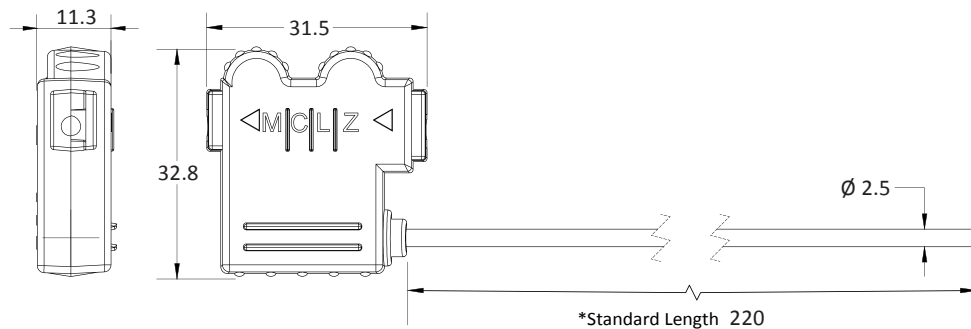
LASER MARKING OPTION



VIEW APPLICATION GIF



- 1 Unique to the security seal industry, this 3rd generation high-security cable seal features a locking body design that is non-linear and provides evidence of tampering.
- 2 PP plastic with vibrant pastel colour is moulded over the zinc locking cover to enable distinct colour coding and laser marking of identifiers such as name, logo, barcode, serial number and QR code.
- 3 The non-preformed galvanised steel wire unravels upon cutting, hence showing clear evidence of tampering.
- 4 Ribbed design on the body prevents tampering on the identifier.
- 5 Biodegradable additives for plastic material are available.
- 6 Plastic material can withstand extreme weather conditions of -25°C to 80°C.



TECHNICAL SPECIFICATIONS

\*Customisable cable length upon request.

PRODUCT - MINI CABLE LOCK ZINC 250 (MCLZ 250)

Code	Material	Cable Length	Cable Diameter	Tensile Strength	Marking Area	Max Marking Digits
MCLZ 250	<b>Body :</b> Zinc <b>Plastic :</b> High-impact Polypropylene (PP) <b>Locking Component:</b> Hardened Steel <b>Cable:</b> Galvanised Steel Wire	220 mm (8.7 in)	∅ 2.5 mm (0.1 in)	≥350 kgf (≥29.8 lbf)	19 x 22 mm (0.7 x 0.9 in)	<b>Serial no :</b> 9 <b>Barcode :</b> 7

PACKAGING

Carton	Quantity	Dimensions (mm)	Gross Weight (kg)	Volume (m <sup>3</sup> )	Standard Pastel Colours
Inner	400	450 x 250 x 135 (17.7 x 9.8 x 5.3 in)	12.5 (27.6 lb)	0.15 (0.5 cu.ft.)	Body : <span>WH</span> <span>PSYL</span> <span>PSOR</span> <span>PSRD</span> <span>PSBL</span> <span>PSGN</span>

For colour customisations, kindly contact us for further information.

Carton size and weight vary according to cable length. Figures shown in the table are for the standard cable length packaging. Please contact us for additional details.

Updated Date : 29 March 2022