

INDICATIVE SEAL

MEGA TEBCO CHAMBER HOUSING AND SEAL (MTCH & MTCS)

Application Seal

Custom-built housing and seal for precise application.

Mega Tebco Chamber Housing and Seal are designed in pairs to suit security bags better with their enhanced security features. The reusable chamber is installed on the bag zipping; the seal secures the chamber during transportation of the assets and bags. The seal is designed with a specific breaking point for quick removal and clear evidence of tampering. The pair remains close to the application surface after sealing and are durable to withstand rough handling.

Applications:

- Casino & Gaming
- Evidence Securing
- Retail Applications
- Banking



PREVENTION · PROTECTION · PEACE OF MIND





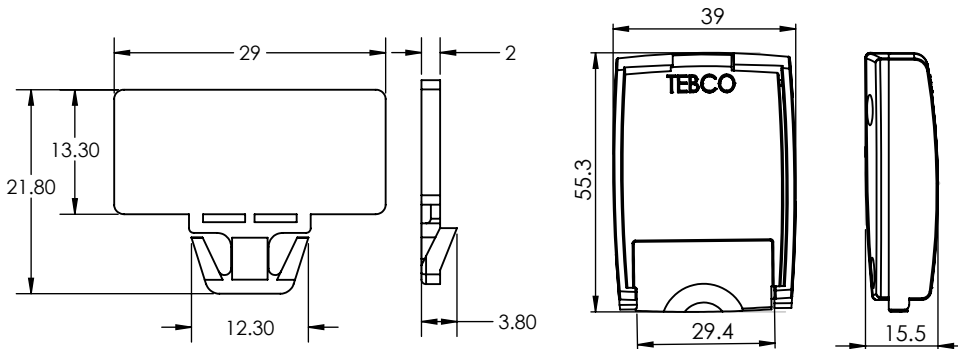
- 1 Mega Tebco Chamber Housing and Seal are moulded with plastic materials for durability and clear evidence of tampering.
- 2 The chamber is installed on the bag zipping and supports multiple, repeated usage.
- 3 One-way snap-on locking mechanism of this seal allows for quick and tight sealing, as well as evidence of tampering or removal.
- 4 Irreversible identifiers such as name, logo, barcode, serial number and QR code are laser-marked on the seal body.
- 5 Colour coding is possible with a wide range of pastel colour options available for the seal.
- 6 Biodegradable additives for plastic material are available.

LASER MARKING OPTION



MEGA FORTRIS GROUP
000000

VIEW APPLICATION GIF



TECHNICAL SPECIFICATIONS

PRODUCT - MEGA TEBCO CHAMBER HOUSING AND SEAL (MTCH & MTCS)

Code	Material	Locking Length	Locking Size	Tensile Strength	Marking Area	Max Marking Digits
MTCH	Plastic: Polypropylene (PP) Temperature range: -40°C to 85°C			N/A		
MTCS	Plastic: Polypropylene (PP) Temperature range: -40°C to 85°C	6 mm (0.2 in)	12 mm (0.5 in)	≤ 5kgf	25 x 9 mm (1 x 0.4 in)	Serial no: 8 Barcode: 8

PACKAGING

Carton	Quantity	Dimensions (mm)	Gross Weight (kg)	Volume (m³)	Standard Colours
MTCH Inner	500	454 x 214 x 244 (17.8 x 8.4 x 9.6 in)	11.15 (24.6 lb)	0.024 (0.848 cu. ft.)	Body : TRNS MTCH PSBL PSGN
MTCS Inner	5000	314 x 158 x 235 (12.4 x 6.2 x 9.3 in)	4.23 (9.3 lb)	0.012 (0.424 cu. ft.)	Body : WH PSYL PSOR PSRD MTCS For colour customisations, kindly contact us for further information.

Updated Date : 30 March 2022