



**MEGA FORTRIS**  
G R O U P

**INDICATIVE SEAL**  
**MEGA SPINNER (MS)**  
Application Seal

***Comprehensive features in one for space saving security.***

The Mega Spinner seal is the only utility seal with a round identifier area across its range. This allows the seal to be utilized for space optimization without compromising its security capability.

The seal has a transparent body for quick inspection of the twister insert sealing. Ease of operation is achievable with identifiers and colour coded inserts.

**Applications:**

- Utility Meters & Scales
- Chemical and Oil Refinery
- Transportation
- Banking



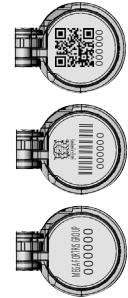
PREVENTION · PROTECTION · PEACE OF MIND



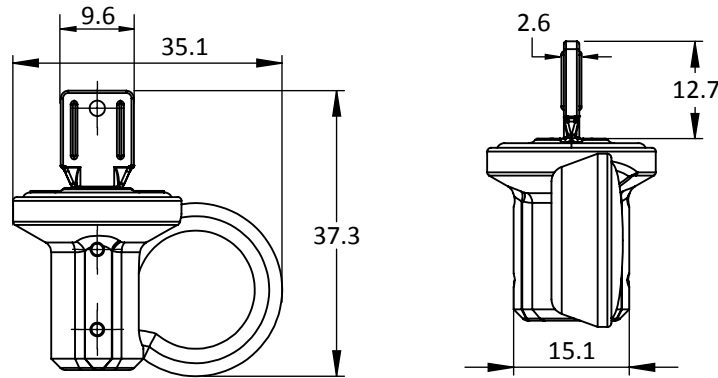


- 1 The Mega Spinner is moulded with a twister locking insert and white cap ultrasonically welded in a plastic transparent body for a clear view of the locking and evidence of tampering.
- 2 Stainless steel wire is required for the twister locking to achieve quick sealing and tight securing on the latches.
- 3 A round marking area flap is placed on the side for irreversible laser marking of identifiers such as name, logo, number and QR code.
- 4 Colour coding is possible with a combination of clear plastic body and vibrant colour insert, which is available in a wide range of choices.
- 5 Biodegradable additives for plastic material are available.

LASER MARKING OPTION



VIEW APPLICATION GIF



TECHNICAL SPECIFICATIONS

PRODUCT - MEGA SPINNER (MS)						
Code	Material	Locking Length	Locking Size	Tensile Strength	Marking Area	Max Marking Digits
MS	<b>Plastic body:</b> Acrylic Temperature Range: -20°C to 70°C  <b>Plastic insert:</b> Acetal (POM) Temperature Range: -40°C to 120°C  <b>Cable:</b> Plastic-coated Stainless Steel 304 (SUS 304)	250 mm (9.8 in)	Ø 0.8 mm (0.03 in)	>30 kgf (>66 lbf)	Ø 12 mm (0.5 in)	Serial no: 6 QR code

PACKAGING					
Carton	Quantity	Dimensions (mm)	Gross Weight (kg)	Volume (m³)	Standard Colours
Inner	1000	338 x 255 x 190 mm (13.3 x 10 x 7.5 in)	7 (15.4 lb)	0.016 (0.565 cu. ft.)	Body : <input type="button" value="TRNS"/> Cap : <input type="button" value="WH"/> Insert : <input type="button" value="WH"/> <input type="button" value="YL"/> <input type="button" value="OR"/> <input type="button" value="GN"/> <input type="button" value="RD"/> <input type="button" value="BL"/>

For colour customisations, kindly contact us for further information.

Updated Date : 29 March 2022