



MEGA FORTRIS
G R O U P

INDICATIVE SEAL

MEGA HASP PADLOCK (MEHAP)

Application Seal

Visible and vibrant locking insert for versatility and product security.

Mega Hasp Padlock features a stainless-steel insert for effective locking for different applications. The seal is slim and space-saving, hence ideal for sealing on roughly handled applications. It has a clear body and vibrant colour insert which allow quick inspection of locking and colour coding to ease operation.

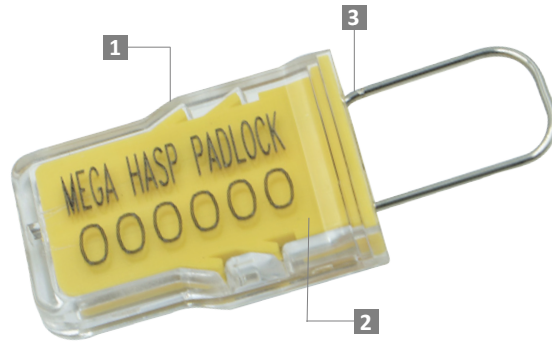
Applications:

- Authentication Tagging
- Aircraft Carts
- Retail Applications
- F&B Applications



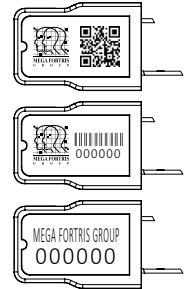
PREVENTION · PROTECTION · PEACE OF MIND



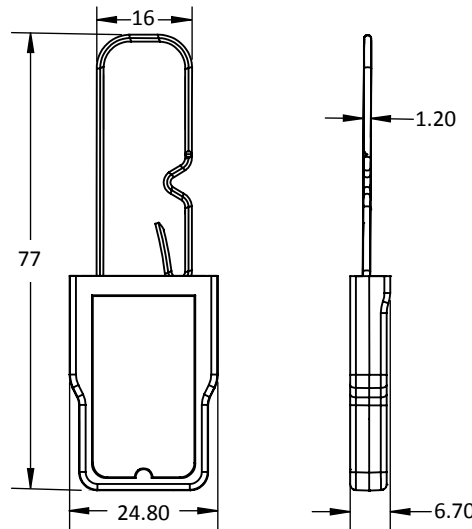


- 1 The Mega Hasp Padlock is moulded with high-impact clear PC plastic material and stainless-steel spring insert to ensure light and durable quality for different applications and clear evidence of tampering.
- 2 A wide range of vibrant pastel colour inserts complement the clear padlock body for inspection and colour coding to ease operation.
- 3 One-way snap-on locking mechanism is embedded for fast and easy application, as well as quick evidence of tampering or removal at the noticeable breaking point.
- 4 Irreversible identifiers such as name, logo, barcode, serial number and QR code are laser-marked on the body.
- 5 Biodegradable additives for plastic material are available.

LASER MARKING OPTION



VIEW APPLICATION GIF



TECHNICAL SPECIFICATIONS

PRODUCT - MEGA HASP PADLOCK (MEHAP)						
Code	Material	Locking Length	Locking Size	Tensile Strength	Marking Area	Max Marking Digits
MEHAP	Plastic : High-impact Polycarbonate (PC) Temperature Range: -20°C to 80°C Spring : Stainless Steel (SUS304)	41 (1.6 in)	13.6 (0.54 in)	>30 kgf (>66.1 lbf)	16 x 24 mm (0.6 x 0.9 in)	Serial no : 9 Barcode : 9

PACKAGING					
Carton	Quantity	Dimensions (mm)	Gross Weight (kg)	Volume (m ³)	Standard Pastel Colours
Inner	1000	465 x 260 x 190 (18.3 x 10.2 x 7.5 in)	6.2 (13.7 lb)	0.023 (0.812 cu.ft)	Body : TRNS Insert : WH PSYL PSOR PSRD PSBL PSGN

For colour customisations, kindly contact us for further information.

Updated Date : 29 March 2022