



MEGA FORTRIS
G R O U P

HIGH SECURITY SEAL

KLICHER (KLC)

Container Bolt Seal

Well-renowned piece for maximum security.

Klicker is the first container bolt seal in Mega Fortris, innovatively designed with an anti-spinning pin and barrel to prevent tampering. This seal complies to ISO 17712 and CTPAT, ensures highest possible security for high-value assets.

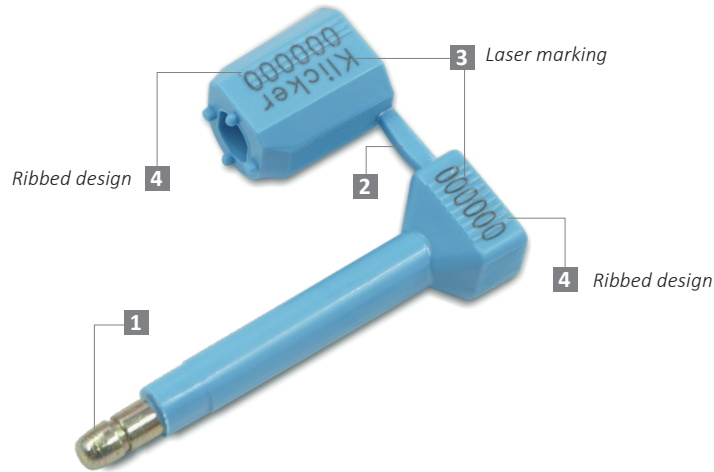
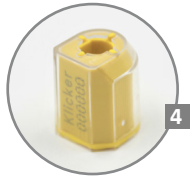
Applications:

- Containers
- Trucks
- Trailers
- Rail Cars

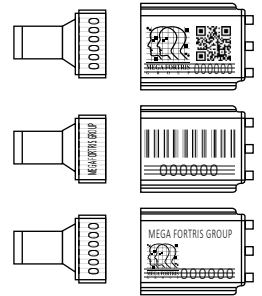


PREVENTION · PROTECTION · PEACE OF MIND





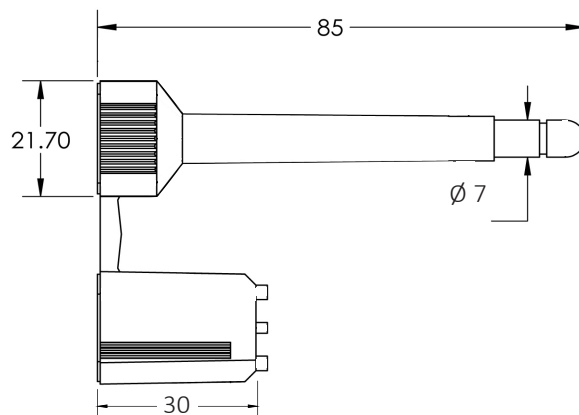
LASER MARKING OPTION



VIEW APPLICATION GIF



- 1 The Klicker comes with an anti-spinning design that the locking mechanism allows only one-way entry and hinders friction from external force.
- 2 Hardened steel pin and bush are moulded in high-impact PP material to form into a durable pin and plastic barrel while withstanding extreme weather conditions of -20°C to 80°C. Pin and barrel are paired engraved for easier handling.
- 3 Irreversible identifiers such as name, logo, barcode, serial number and QR code are laser-marked on the pin and barrel to prevent parts substitution or replacement.
- 4 An optional transparent cover on the barrel further secures the identifier and provides high visibility.
- 5 Biodegradable additives for plastic material are available.
- 6 The seal is designed, tested and certified ISO 17712:2022.



TECHNICAL SPECIFICATIONS

PRODUCT - KLICKER (KLC)

Code	Material	Locking Length	Pin Diameter	Tensile Strength	Marking Area	Max Marking Digits
KLC	Plastic : High-impact Polypropylene (PP) Pin & Bush : Hardened Steel	55 mm (2.2 in)	Ø 7.0 mm (0.3 in)	≥1000 kgf (≥2204.6 lbf)	Pin: 5 x 45 mm (0.2 x 1.8 in) Barrel: 10 x 24 mm (0.4 x 0.9 in)	Serial no: 8 Barcode: 8

PACKAGING

Carton	Quantity	Dimensions (mm)	Gross Weight (kg)	Volume (m³)	Standard Solid Colours
Outer	25 sets x 10 pcs	508 x 365 x 134 (20.0 x 14.4 x 5.25 in)	17.1 (37.5 lb)	0.025 (0.9 cu.ft.)	Body : WH BL YL GN OR RD

For colour customisations, kindly contact us for further information.

Updated Date : 29 March 2022