



**MEGA FORTRIS**  
G R O U P

## INDICATIVE SEAL

### AIRLINE PADLOCK (APAD)

#### Application Seal

***Rounded locking mechanism and bold structure for ease of operation.***

Airline Padlock features a rounded locking mechanism that is user-friendly to seal all kinds of locking latches. The seal is designed with a larger flap and thicker locking head, hence suitable for roughly handled applications. Besides, the seal is space-saving due to its slim and flat-lay structure with a variety of colours available for colour coding and ease of operation.

#### Applications:

- Authentication Tagging
- Aircraft Carts
- Retail Applications
- F&B Applications

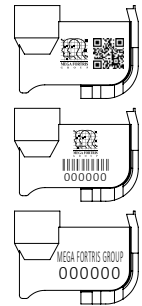


PREVENTION · PROTECTION · PEACE OF MIND





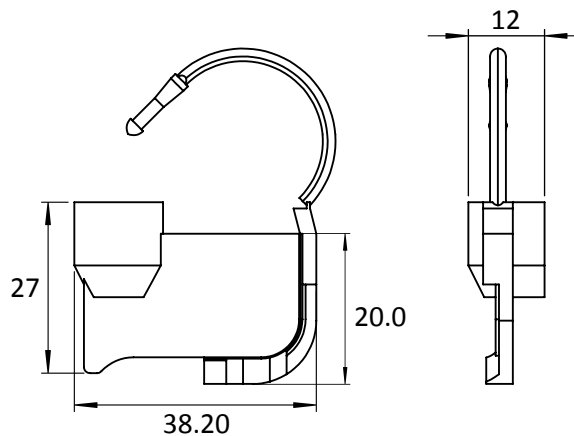
LASER MARKING OPTION



VIEW APPLICATION GIF



- 1 The Airline Padlock is moulded with Polypropylene (PP) plastic material to ensure light and durable quality for different applications and clear evidence of tampering.
- 2 One-way snap-on locking mechanism is embedded for fast and easy application while an inspection window at the back for clear vision of locking.
- 3 Irreversible identifiers such as name, logo, barcode, serial number and QR code are laser-marked on the body.
- 4 Biodegradable additives for plastic material are available.



TECHNICAL SPECIFICATIONS

PRODUCT - AIRLINE PADLOCK (APAD)					
Code	Material	Locking Length/Size	Tensile Strength	Marking Area	Max Marking Digits
APAD	<b>Plastic (Body &amp; Cap) :</b> Polypropylene (PP) Temperature Range: -5°C to 80°C <b>Plastic (Insert) :</b> Acetal (POM) Temperature range: -40°C to 120°C	28.5 x 12 mm	≥8 kgf (≥17.6 lbf)	34 x 20 mm (1.3 x 0.8 in)	<b>Serial no :</b> 6 <b>Barcode :</b> 5

PACKAGING					
Carton	Quantity	Dimensions (mm)	Gross Weight (kg)	Volume (m <sup>3</sup> )	Standard Pastel Colours
Inner	1000	284 x 254 x 299 (11.2 x 10.0 x 11.8 in)	3.3 (7.3 lb)	0.022 (0.8 cu.ft.)	Body : WH PSYL PSOR PSRD PSBL PSGN Cap : TRNS WH MILKY (BIO)

For colour customisations, kindly contact us for further information.

Updated Date : 29 March 2022