



MEGA FORTRIS
G R O U P

HIGH SECURITY SEAL **MEGA CONTAINER SEAL (MCS)**

Container Bolt Seal

Elementary yet comprehensive structure for high security requirements.

The Mega Container Seal complies to ISO 17712 and CTPAT, providing clear evidence of tampering. The seal features an optional transparent cover on the barrel for enhanced protection of the laser marking.

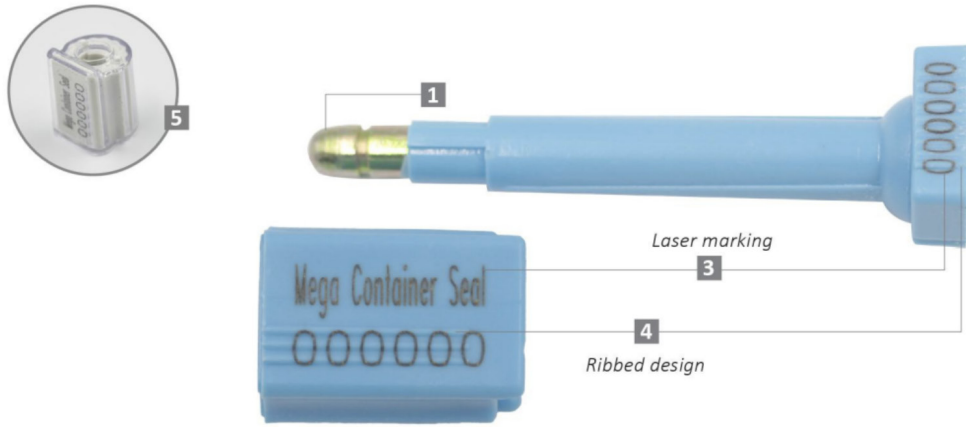
Applications:

- Containers
- Trucks
- Trailers
- Rail Cars

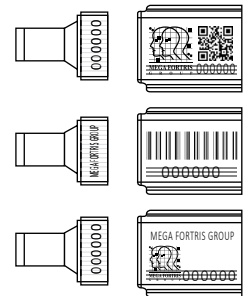


PREVENTION · PROTECTION · PEACE OF MIND

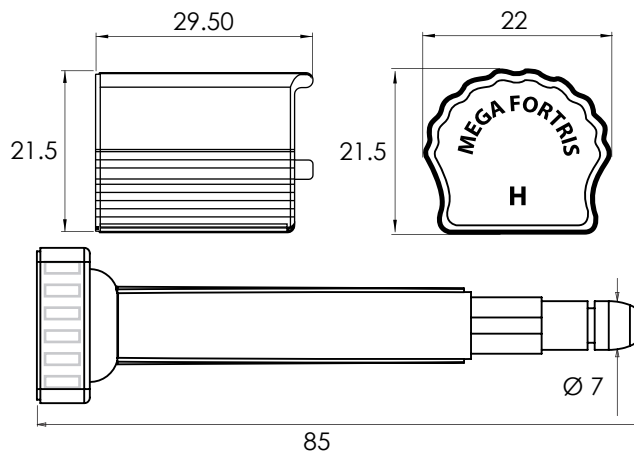




LASER MARKING OPTION



- 1 The Mega Container Seal has a uniquely shaped pin and barrel to mitigate “spin attacks”. The locking mechanism is designed to allow only one-way entry with 180° turning for easy application and reading of the laser marked identifier.
- 2 Hardened steel pin and bush are moulded in high-impact PP material to form into a durable pin and plastic barrel while withstanding extreme weather conditions of -20°C to 80°C.
- 3 Irreversible identifiers such as name, logo, barcode, serial number and QR code are laser-marked on the pin and barrel to prevent parts substitution or replacement.
- 4 Ribbed design on the plastic barrel prevents tampering on the identifier.
- 5 An optional transparent cover on the barrel further secures the identifier and provides high visibility.
- 6 Biodegradable additives for plastic material are available.
- 7 The seal is designed, tested and certified ISO 17712:2013.



TECHNICAL SPECIFICATIONS

PRODUCT - MEGA CONTAINER SEAL (MCS)

Code	Material	Locking Length	Pin Diameter	Tensile Strength	Marking Area	Max Marking Digits
MCS	Plastic : High-impact Polypropylene (PP) Pin & Bush : Hardened Steel	70mm (2.8 in)	∅ 7 mm (0.3 in)	≥1000 kgf (≥2204.6 lbf)	Pin: 6 x 18 mm (0.2 x 0.7 in) Barrel: 25 x 13 mm (1.0 x 0.5 in)	Serial no : 8 Barcode : 8

PACKAGING

Carton	Quantity	Dimensions (mm)	Gross Weight (kg)	Volume (m ³)	Standard Solid Colours
Inner	250	362 x 222 x 255 (14.3 x 8.7 x 10.0 in)	17.55 (38.69 lbs)	0.02 (0.7 cu.ft.)	Body : WH BL YL GN OR RD

For colour customisations, kindly contact us for further information.

Updated Date : 15 June 2021