

**MEGA FORTRIS**  
G R O U P

## **HIGH SECURITY SEAL** **MAXI CABLE LOCK ZINC 500 (MCLZ 500)**

**Pull-Tight Barrier Seal**

***Bright colours for defined identification.***

Maxi Cable Lock Zinc 500 is an ISO 17712 and CTPAT complying high-security cable seal with special entry point designed to prevent tampering attacks. It is strong and durable to secure high-value assets. Biodegradable option for the plastic material is available.

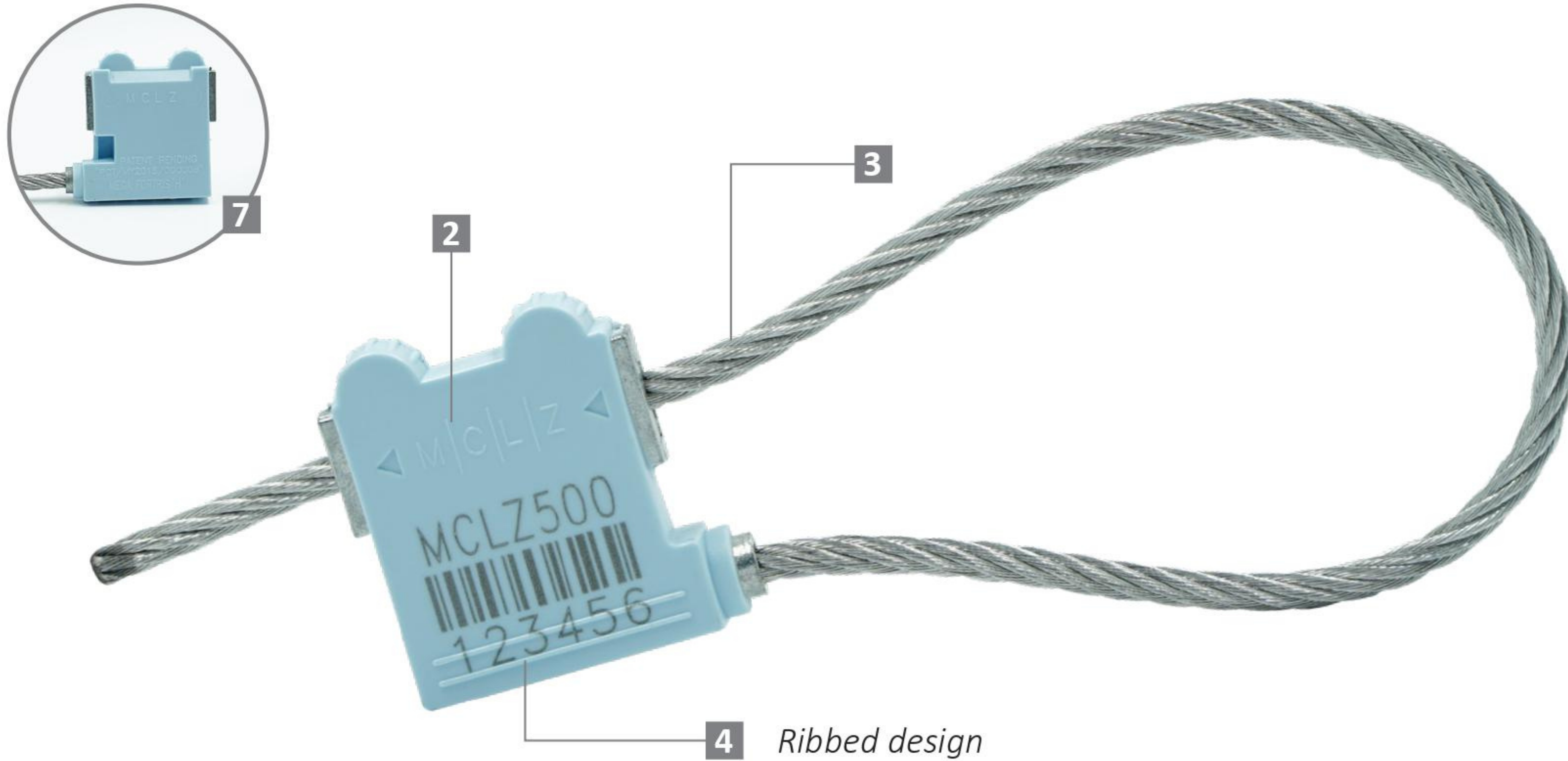
### **Applications:**

- Containers
- Trucks
- Trailers
- Rail Cars



**PREVENTION · PROTECTION · PEACE OF MIND**

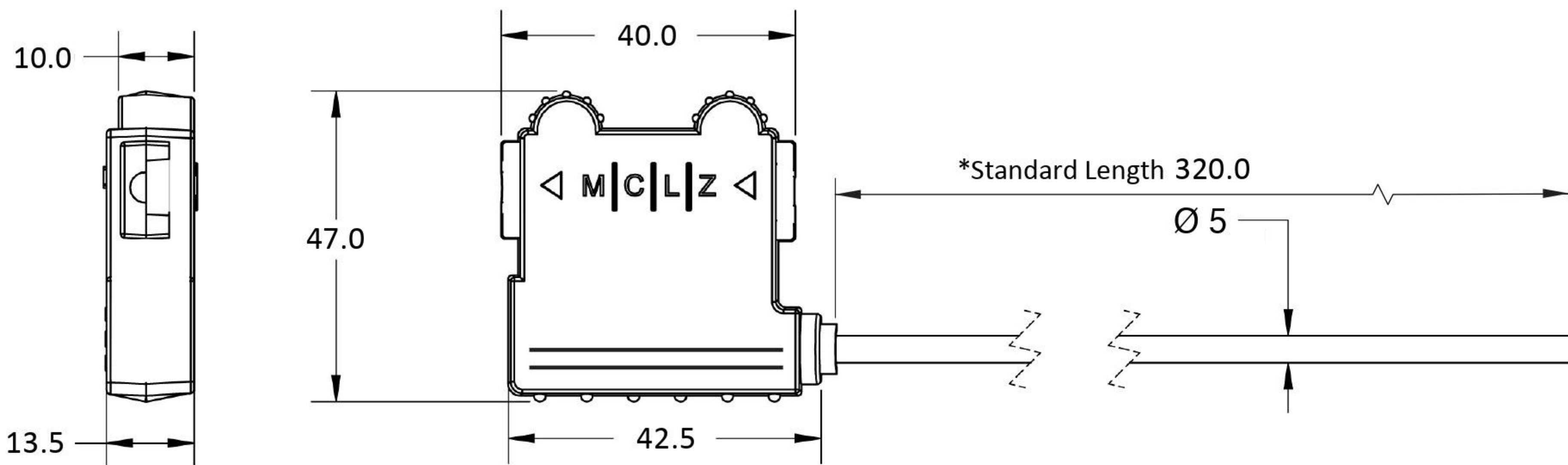




LASER MARKING OPTION



- 1 Unique to the security seal industry, this 3rd generation high-security cable seal features a lock body design that is non-linear and provides evidence of tampering.
- 2 High-impact PP plastic with vibrant pastel colour is moulded over the zinc lock cover to enable distinct colour coding and laser marking of identifiers such as name, logo, barcode, serial number and QR code.
- 3 The non-preformed galvanised steel wire unravels upon cutting, hence showing clear tamper evidence.
- 4 Ribbed design on the body prevents tampering on the identifier.
- 5 Biodegradable additives for plastic material are available.
- 6 Plastic material can withstand extreme weather conditions, -25°C to 80°C.
- 7 The seal is designed, tested and certified ISO 17712:2013.



TECHNICAL SPECIFICATIONS

\*Customisable cable length upon request.

PRODUCT - MAXI CABLE LOCK ZINC 500 (MCLZ 500)

Code	Material	Cable Length	Cable Diameter	Tensile Strength	Marking Area	Max Marking Digits
MCLZ 500	<b>Body :</b> Zinc <b>Plastic :</b> Polypropylene (PP) <b>Locking Component :</b> Hardened Steel <b>Cable :</b> Galvanised Steel Wire	320 mm (12.6 in)	Ø 5 mm (0.2 in)	≥1000 kgf (≥2204.6 lbf)	25 x 30 mm (1.0 x 1.2 in)	<b>Serial no :</b> 8 <b>Barcode :</b> 8

PACKAGING

Carton	Quantity	Dimensions (mm)	Gross Weight (kg)	Volume (m <sup>3</sup> )	Standard Pastel Colours
Inner	100	450 x 250 x 135 (17.7 x 9.8 x 5.3 in)	TBC	0.015 (0.5 cu.ft.)	Body : WH PSYL PSOR PSRD PSBL PSGN

For colour customisations, kindly contact us for further information.

Carton size and weight vary according to cable length. Figures shown in the table are for the standard cable length packaging. Please contact us for additional details.

Updated Date : 21 January 2021