

MEGA FORTRIS
G R O U P

HIGH SECURITY SEAL

MEDIUM CABLE LOCK ZINC 350 (MCLZ 350)

Pull-Tight Barrier Seal

Bright colours for defined identification.

Medium Cable Lock Zinc 350 is an ISO 17712 and CTPAT complying high-security cable seal with special entry point designed to prevent tampering attacks. It is strong and durable to secure high-value assets. Biodegradable option for the plastic material is available.

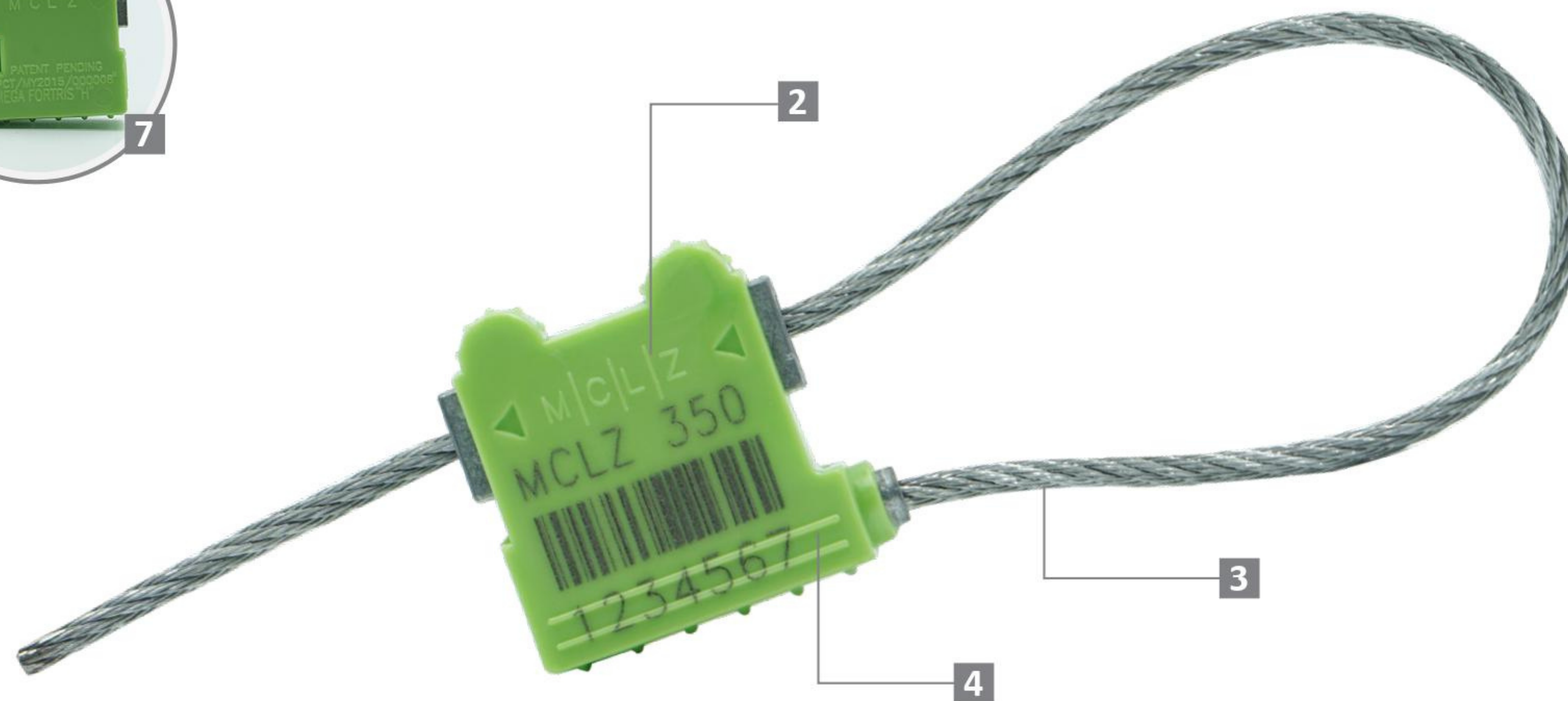
Applications:

- Containers
- Trucks
- Trailers
- Rail Cars



PREVENTION · PROTECTION · PEACE OF MIND

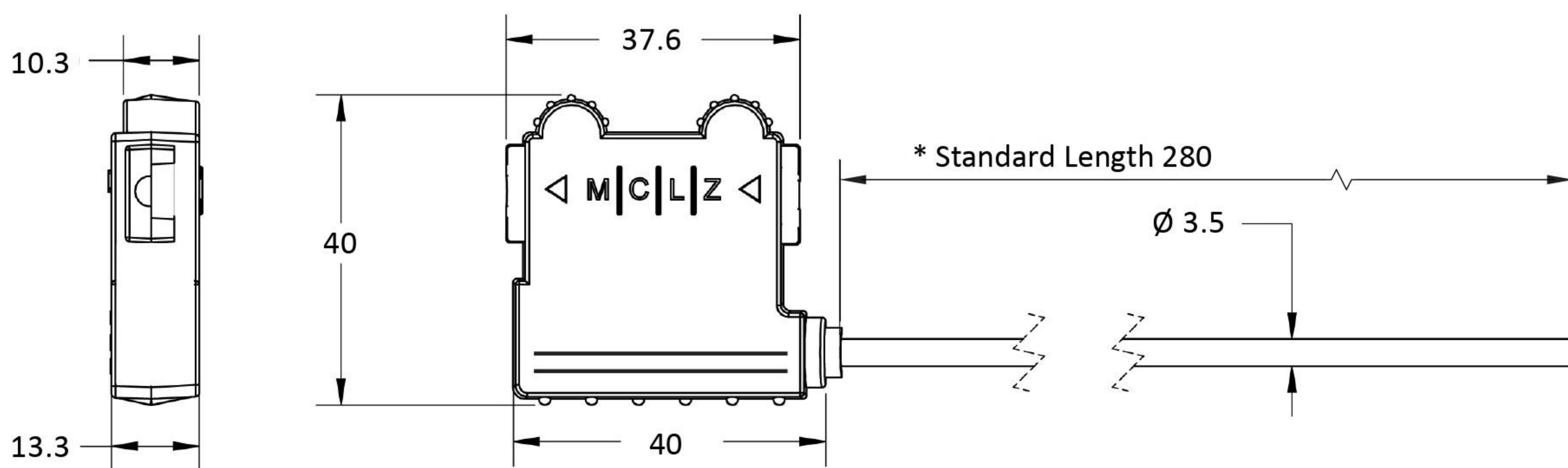




LASER MARKING OPTION



- 1 Unique to the security seal industry, this 3rd generation high-security cable seal features a lock body design that is non-linear and provides evidence of tampering.
- 2 PP plastic with vibrant pastel colour is moulded over the zinc lock cover to enable distinct colour coding and laser marking of identifiers such as name, logo, barcode, serial number and QR code.
- 3 The non-preformed galvanised steel wire unravels upon cutting, hence showing clear tamper evidence.
- 4 Ribbed design on the body prevents tampering on the identifier.
- 5 Biodegradable additives for plastic material are available.
- 6 Plastic body material can withstand extreme weather conditions, -25°C to 80°C.
- 7 The seal is designed, tested and certified ISO 17712:2013.



TECHNICAL SPECIFICATIONS

*Customisable cable length upon request.

PRODUCT - MEDIUM CABLE LOCK ZINC 350 (MCLZ 350)

Code	Material	Cable Length	Cable Diameter	Tensile Strength	Marking Area	Max Marking Digits
MCLZ 350	Body : Zinc Plastic : Polypropylene (PP) Locking Component : Hardened Steel Cable : Galvanised Steel Wire	280 mm (11.0 in)	Ø 3.5 mm (0.1 in)	≥1000 kgf (≥2204.6 lbf)	30 x 30 mm (1.2 x 1.2 in)	Serial no : 10 Barcode : 8

PACKAGING

Carton	Quantity	Dimensions (mm)	Gross Weight (kg)	Volume (m ³)	Standard Pastel Colours
Inner	250	450 x 250 x 135 (17.7 x 9.8 x 5.3 in)	18.0 (39.7 lb)	0.015 (0.5 cu.ft.)	Body : WH PSYL PSOR PSRD PSBL PSGN

For colour customisations, kindly contact us for further information.

Carton size and weight vary according to cable length. Figures shown in the table are for the standard cable length packaging. Please contact us for additional details.

Updated Date : 21 January 2021