

**MEGA FORTRIS**  
G R O U P

## **HIGH SECURITY SEAL** **FLEXI KLICK (FLXK)**

**Container Bolt Seal**

***Flexibility and security in a click.***

Flexi Klick is uniquely designed with flexibility added into its strong locking mechanism. This feature prevents ricochet and comes with an anti-spinning feature. Flexi Klick is CTPAT and ISO 17712 compliant, the seal's flexibility complements its high security.

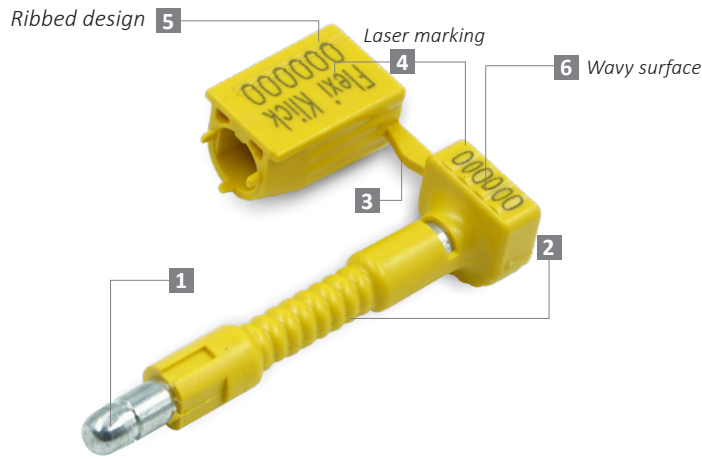
### **Applications:**

- Containers
- Trucks
- Trailers
- Rail Cars

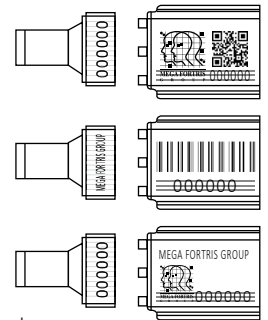


**PREVENTION · PROTECTION · PEACE OF MIND**

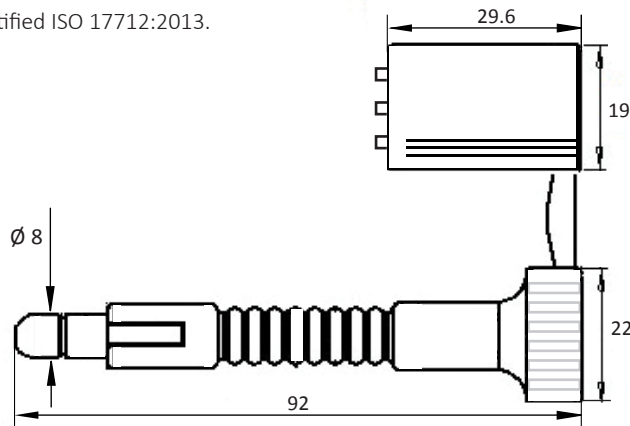




LASER MARKING OPTION



- 1 The Flexi Klick comes with an anti-spinning design that the locking mechanism allows only one-way entry and hinders friction from external force.
- 2 The extra-long flexible steel wire cable pin allows easy application and is safer to cut and provides excellent protection against crude tools. The pin will bend upon impact.
- 3 The pin and bush are moulded in high-impact ABS material to form into a durable pin and plastic barrel while withstanding extreme weather conditions of -20°C to 80°C. Pin and barrel are paired engraved for easier handling.
- 4 Irreversible identifiers such as name, logo, barcode, serial number and QR code are laser-marked on the pin and barrel to prevent parts substitution or replacement.
- 5 Ribbed design on the plastic barrel prevents tampering on the identifier.
- 6 Additional wavy printing surface on pin gives clear tamper evidence of identifiers removal.
- 7 Biodegradable additives for plastic material are available.
- 8 The seal is designed, tested and certified ISO 17712:2013.



## TECHNICAL SPECIFICATIONS

### PRODUCT - FLEXI KLICK (FLXK)

| Code | Material  | Locking Length    | Pin Diameter         | Tensile Strength           | Marking Area   | Max Marking Digits                         |
|------|---|-------------------|----------------------|----------------------------|--|--|
| FLXK | <b>Plastic :</b><br>High-impact Acrylonitrile Butadiene Styrene (ABS)<br><b>Pin &amp; Bush :</b><br>Hardened Steel & Wire Cable | 79 mm<br>(3.1 in) | ø 8.0 mm<br>(0.3 in) | ≥1000 kgf<br>(≥2204.6 lbf) | <b>Pin:</b> 7 x 18 mm<br>(0.3 x 0.7 in)<br><b>Barrel:</b> 15 x 25 mm<br>(0.6 x 1.0 in) | <b>Serial no :</b> 8<br><b>Barcode :</b> 8 |

### PACKAGING

| Carton | Quantity | Dimensions (mm)                           | Gross Weight (kg)  | Volume (m <sup>3</sup> ) | Standard Pastel Colours  |
|--------|----------|---|--------------------|--------------------------|--|
| Inner  | 250      | 362 x 222 x 255<br>(14.3 x 8.7 x 10.9 in) | 16.25<br>(35.8 lb) | 0.02<br>(0.7 cu.ft.)     | Body : <span style="border: 1px solid black; padding: 2px;">WH</span> <span style="border: 1px solid black; padding: 2px;">PSYL</span> <span style="border: 1px solid black; padding: 2px;">PSOR</span> <span style="border: 1px solid black; padding: 2px;">PSRD</span> <span style="border: 1px solid black; padding: 2px;">PSBL</span> <span style="border: 1px solid black; padding: 2px;">PSGN</span> |

For colour customisations, kindly contact us for further information.

**Updated Date : 15 June 2021**