



## INDICATIVE SEAL

# TRIPLE LOCK CASINO SEAL 2K (TLCS 2K)

### Application Seal

#### ***Two-colour body in a nifty designed body for indication security.***

Triple Lock Casino Seal is innovatively developed with two colour moulding technology, a patent of Mega Fortris. The seal is delicately designed with a specific breaking point for quick removal and tamper-evidence. It remains close to the application surface after sealing, and is sturdy enough to secure assets during rough handling. These seals include the BioSphere bio-additive.

To provide eco-conscious solutions on a wide array of applications, all Mega Fortris' security seal product lines with plastic content will include the BioSphere bio-additive from 13th May 2024.

#### Applications:

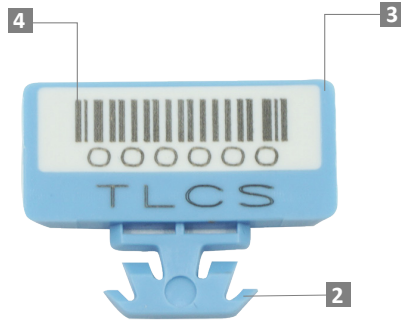
- Casino & Gaming
- Evidence Securing
- Retail Applications
- Banking



Our biodegradable plastic additives go deeper, allowing microbes to consume the C-C bonds within plastic's structure at a macromolecular level. This increases the surface area of plastic products and enables plastophilic microbes to attach to the polymer's newfound cavities. So, unlike regular plastic that can sit in a landfill for hundreds or thousands of years, plastic enhanced with BioSphere attracts over 600 different types of microbes that effectively digest and consume it.

PREVENTION · PROTECTION · PEACE OF MIND





LASER MARKING OPTION

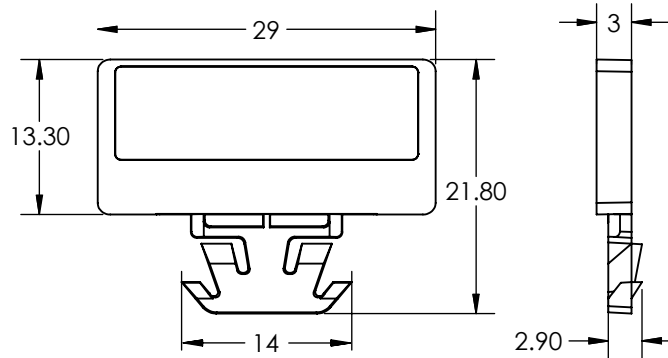


MEGA FORTRIS GROUP  
000000

VIEW APPLICATION GIF



- 1 Triple Lock Casino Seal 2K is moulded with two colours Polypropylene (PP) material for durability and clear tamper-evidence.
- 2 One-way snap-on locking mechanism of this seal allows quick and tight sealing, as well as show clear evidence of tampering upon removal.
- 3 Two colours on the body improved laser markings definition, visibility, and identification.
- 4 Irreversible identifiers such as name, logo, barcode, serial number and QR code are laser-marked on the flap.
- 5 Colour coding is possible with our standard range of colour options available for the seal.
- 6 These seals include the BioSphere bio-additive.
- 7 The latest design of the new generation allows for more marking space.



TECHNICAL SPECIFICATIONS

PRODUCT - TRIPLE LOCK CASINO SEAL 2K (TLCS 2K)

Code	Material	Locking Size	Tensile Strength	Marking Area	Max Marking Digits
TLCS 2K	Plastic : Polypropylene (PP)	14.3 mm (0.563 in)	≤ 5 kgf (11.0 blf)	10 x 22 mm (0.39 x 0.87 in)	Serial no : 8

PACKAGING

Carton	Quantity	Dimensions (mm)	Gross Weight (kg)	Volume (m <sup>3</sup> )	Standard Pastel Colours
Inner	4000	314 x 158 x 235 (12.4 x 6.2 x 9.3 in)	5.62 (12.4 lb)	0.012 (0.424 cu. ft.)	Body : <span>WH</span> <span>PSYL</span> <span>PSOR</span> <span>PSRD</span> <span>PSBL</span> <span>PSGN</span> <span>BK</span> Marking flap : <span>WH</span>

For colour customisations, kindly contact us for further information.

Updated Date : 13 May 2024