



MEGA FORTRIS
G R O U P

INDICATIVE SEAL

FORT HASP PADLOCK (FHASP)

Application Seal

Two colours for defined visibility.

Fort Hasp Padlock is innovatively designed with Mega Fortris patented two-colour body for improved visibility and easier identification. The seal is slim, strong and saves space, hence ideal for sealing roughly handled applications.

These seals include the BioSphere bio-additive.

To provide eco-conscious solutions on a wide array of applications, all Mega Fortris' security seal product lines with plastic content will include the BioSphere bio-additive from 13th May 2024.

Applications:

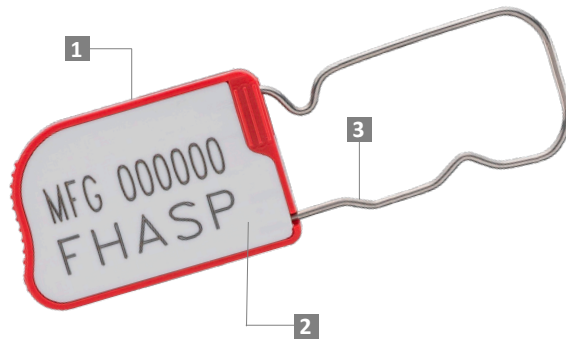
- Authentication Tagging
- Aircraft Carts
- Retail Applications
- F&B Applications



Our biodegradable plastic additives go deeper, allowing microbes to consume the C-C bonds within plastic's structure at a macromolecular level. This increases the surface area of plastic products and enables plastophilic microbes to attach to the polymer's newfound cavities. So, unlike regular plastic that can sit in a landfill for hundreds or thousands of years, plastic enhanced with BioSphere attracts over 600 different types of microbes that effectively digest and consume it.

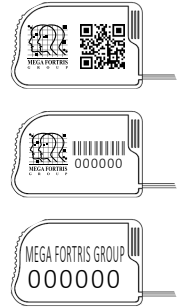
PREVENTION · PROTECTION · PEACE OF MIND



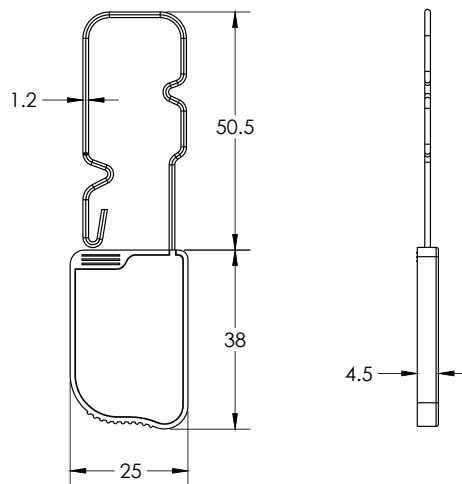


- 1 The Fort Hasp Padlock is moulded with Acrylonitrile Butadiene Styrene High Impact material and stainless-steel spring insert to ensure light and durable quality for different applications and clear evidence of tampering.
- 2 Two colours on the body improve laser markings definition, visibility, and identification.
- 3 One-way snap-on locking mechanism is embedded for fast and easy application, as well as quick evidence of tampering or removal at the noticeable breaking point.
- 4 Irreversible identifiers such as name, logo, barcode, serial number and QR code are laser-marked on the body.
- 5 These seals include the BioSphere bio-additive.

LASER MARKING OPTION



VIEW APPLICATION GIF



TECHNICAL SPECIFICATIONS

PRODUCT - FORT HASP PADLOCK (FHASP)						
Code	Material	Locking Length	Locking Size	Tensile Strength	Marking Area	Max Marking Digits
FHASP	Plastic : Acrylonitrile Butadiene Styrene High Impact (ABS HI) Temperature Range: -20°C to 80°C Spring : Stainless Steel (SUS304)	20 (0.8 in)	NA	>35 kgf (>77.2 lbf)	17 x 28 mm (0.7 x 1.1 in)	Serial no : 9 Barcode : 9

PACKAGING					Standard Pastel Colours	
Carton	Quantity	Dimensions (mm)	Gross Weight (kg)	Volume (m³)	Body :	Cover :
Inner	1000	158 x 235 x 314 (6.2 x 9.3 x 12.4 in)	4.70 kg (10.4 lb)	0.0116 (0.41 cu.ft)	WH PSYL PSOR PSRD PSBL PSGN BK	WH FR

For colour customisations, kindly contact us for further information.

Updated Date : 10 May 2024