

HIGH SECURITY SEAL

MEGALOCK (ML), 2K MEGALOCK (2K ML), FLEXI MEGALOCK (FLX ML)

Fixed Locking Barrier Seal

Epitome combination for absolute security.

Megalock series is a combination structure of a container bolt and a cable barrier seal to achieve robust security for high-value assets. With precisely designed locking mechanism and cable length, it is strong and durable for all securing purposes. This seal complies to ISO 17712 and CTPAT with clear evidence of tampering from its innovatively designed anti-spinning pin and barrel. These seals include the BioSphere bio-additive.

To provide eco-conscious solutions on a wide array of applications, all Mega Fortris' security seal product lines with plastic content will include the BioSphere bio-additive from 13th May 2024.

Applications:

- Containers
- Trucks
- Trailers
- Rail Cars

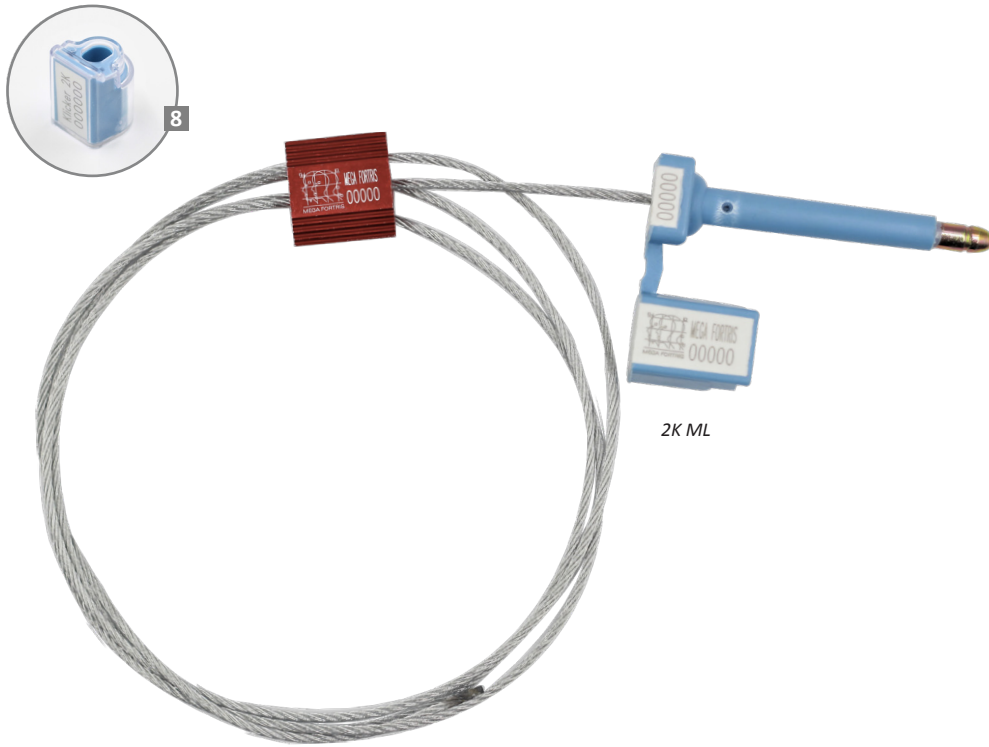


Our biodegradable plastic additives go deeper, allowing microbes to consume the C-C bonds within plastic's structure at a macromolecular level. This increases the surface area of plastic products and enables plastophilic microbes to attach to the polymer's newfound cavities. So, unlike regular plastic that can sit in a landfill for hundreds or thousands of years, plastic enhanced with BioSphere attracts over 600 different types of microbes that effectively digest and consume it.

PREVENTION · PROTECTION · PEACE OF MIND

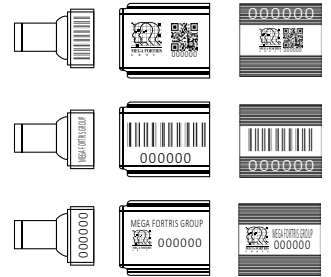


The depicted seal is for illustration purposes only.



2K ML

LASER MARKING OPTION

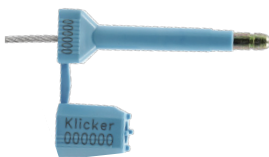


VIEW APPLICATION GIF



- 1 Megalock is a structure of container bolt seal and MCL 250, connected with non-preformed galvanised steel wire that unravels upon cutting to show clear evidence of tampering.
- 2 Double locking mechanisms on the seal provide an extensive locking to secure the assets and provide clear evidence of tampering.
- 3 MCL 250 consists of an aluminium body and galvanised steel wire that is pulled to tightly secure assets and provide clear tell-tale signs of tampering.
- 4 The rib exterior is designed to protect the laser markings during rough handling with anodisation of solid colour for colour coding.
- 5 Irreversible identifiers such as name, logo, barcode, serial number and QR code are laser-marked for further identification security and to prevent parts substitution or replacement.
- 6 Container bolt seals feature an anti-spinning locking mechanism that allows only one-way entry and hinders friction from external force.
- 7 Hardened steel pin and bush are moulded in high-impact plastic material to form into a durable pin and plastic barrel while withstanding extreme weather conditions of -20°C to 80°C. Pin and barrel are paired engraved for easier handling.
- 8 These seals include the BioSphere bio-additive.
- 9 The seal is designed, tested and certified ISO 17712:2013.
- 10 The options available for container bolt seal are Klicker, Klicker 2K, and Flexi Klick.

Klicker (ML)



Ribbed design on the barrel prevents tampering on the identifier.

Klicker 2K (2K ML)



Two colours on the Klicker 2K pin and barrel improve laser marking definition, visibility, and identification.

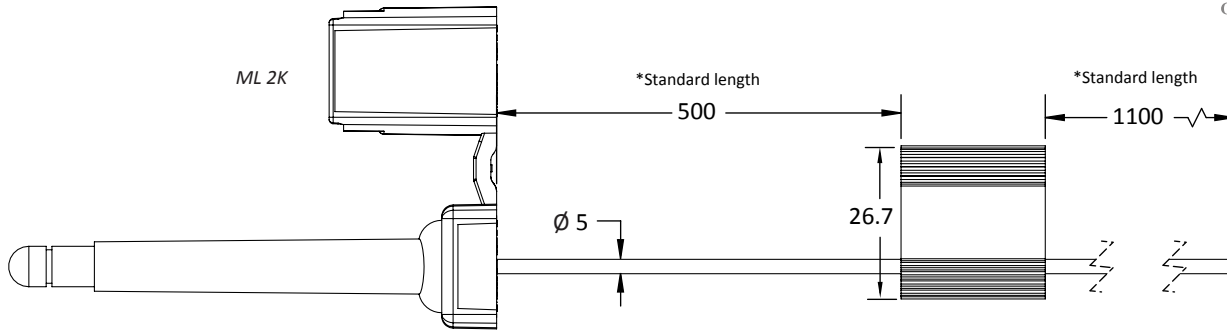
Flexi Klick (FLX ML)



The seal is safer to cut and provides excellent protection against crude tools for its extra-long flexible steel wire cable pin. The pin will bend upon impact.

Wavy surface on the pin and ribbed design on the barrel prevents tampering on the identifier.

Updated Date : 06 May 2024



TECHNICAL SPECIFICATIONS

*Customisable cable length upon request.

PRODUCT - MEGA LOCK (ML), 2K MEGA LOCK (2K ML), MEGA FLEXI KLICK (FLX ML)

Code	Material	Locking Length	Locking Size	Tensile Strength	Marking Area	Max Marking Digits
ML		55 mm (2.2 in)	Ø 7 mm (0.3 in)	≥1000 kgf (≥2204.6 lbf)	Pin: 5 x 18 mm (0.2 x 0.71 in) Barrel: 10 x 24 mm (0.4 x 0.9 in)	Serial no: 8 Barcode: 8
		180 mm (7.1 mm)	Ø 2.5 mm (0.1 in)	≥280 kgf (≥617.3 lbf)	Body: 0.9 x 21 mm (0.03 x 0.8 in)	Serial no: 6 Barcode: 7
2K ML	Plastic: High-impact Polypropylene (PP) Pin & Bush: Hardened Steel Cable Body: Aluminium Cable: Galvanised Steel Wire	52 mm (2.2 in)	Ø 7 mm (0.3 in)	≥1000 kgf (≥2204.6 lbf)	Pin: 5 x 12 mm (0.2 x 0.5 in) Barrel: 10 x 24 mm (0.4 x 0.9 in)	Serial no: 8 Barcode: 8
		180 mm (7.1 mm)	Ø 2.5 mm (0.1 in)	≥280 kgf (≥617.3 lbf)	Body: 0.9 x 21 mm (0.03 x 0.8 in)	Serial no: 6 Barcode: 7
FLX ML		79 mm (3.1 in)	Ø 8 mm (0.3 in)	≥1000 kgf (≥2204.6 lbf)	Pin: 7 x 18 mm (0.3 x 0.7 in) Barrel: 15 x 25 mm (0.6 x 1.0 in)	Serial no: 8 Barcode: 8
		180 mm (7.1 mm)	Ø 5 mm (0.2 in)	≥1000 kgf (≥2204.6 lbf)	Body: 14 x 30 mm (0.55 x 1.2 in)	Serial no: 6 Barcode: 7

PACKAGING

Carton	Quantity	Dimensions (mm)	Gross Weight (kg)	Volume (m ³)	Standard Colours
ML Inner	50	300 x 270 x 160 mm (11.8 x 10.6 x 6.3 in)	5.855 (12.9 lb)	0.013 (0.5 cu. ft.)	Plastic : WH PSYL PSOR PSRD PSBL PSGN BK Klicker 2K Marking Area : WH Klicker & Flexi Klick Body : WH PSYL PSOR PSRD PSBL PSGN BK Aluminium : G R B BK GD SC
2K ML Inner	50	300 x 270 x 160 mm (11.9 x 10.6 x 6.3 in)	6.000 (13.2 lb)	0.013 (0.5 cu. ft.)	
FLX ML Inner	50	300 x 270 x 160 mm (11.8 x 10.6 x 6.3 in)	8.310 (18.3 lb)	0.013 (0.5 cu. ft.)	

For colour customisations, kindly contact us for further information.

Carton size and weight vary according to cable length. Figures shown in the table are for the standard cable length packaging. Please contact us for additional details.

Updated Date : 06 May 2024