

HIGH SECURITY SEAL

KLICKER 2K (KLC 2K)

Container Bolt Seal

Two colours for defined visibility.

Klicker 2K is the world's first two-coloured container bolt seal, patented by Mega Fortris. This seal complies to ISO 17712 and CTPAT with clear evidence of tampering from its innovatively designed anti-spinning pin and barrel.

These seals include the BioSphere bio-additive.

To provide eco-conscious solutions on a wide array of applications, all Mega Fortris' security seal product lines with plastic content will include the BioSphere bio-additive from 13th May 2024.

Applications:

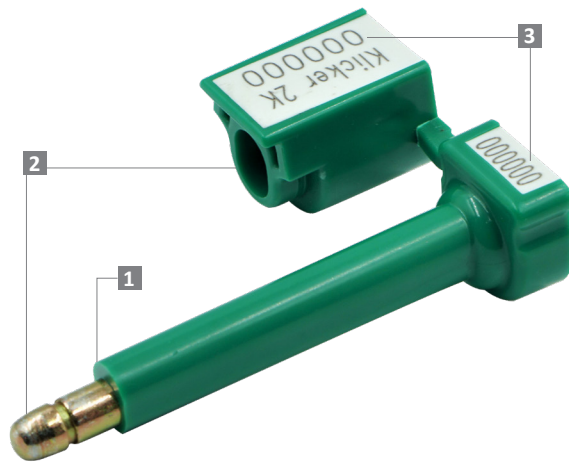
- Containers
- Trucks
- Trailers
- Rail Cars



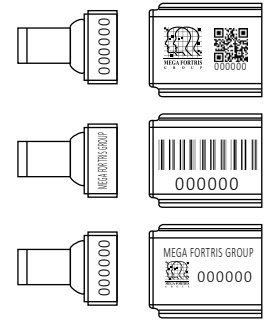
Our biodegradable plastic additives go deeper, allowing microbes to consume the C-C bonds within plastic's structure at a macromolecular level. This increases the surface area of plastic products and enables plastophilic microbes to attach to the polymer's newfound cavities. So, unlike regular plastic that can sit in a landfill for hundreds or thousands of years, plastic enhanced with BioSphere attracts over 600 different types of microbes that effectively digest and consume it.

PREVENTION · PROTECTION · PEACE OF MIND





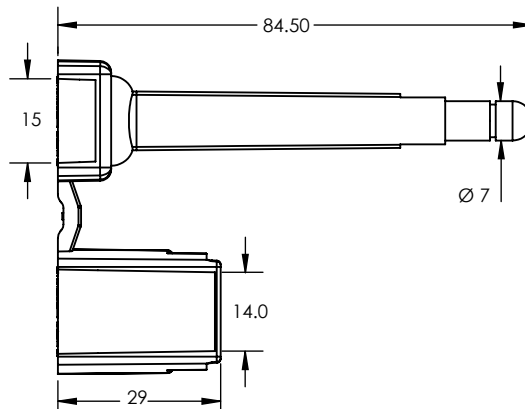
LASER MARKING OPTION



VIEW APPLICATION GIF



- 1 The Klicker 2K comes with an anti-spinning design that the locking mechanism allows only one-way entry and hinders friction from external force.
- 2 Hardened steel pin and bush are moulded in high-impact PP material to form into a durable pin and plastic barrel while withstanding extreme weather conditions of -20°C to 80°C. Pin and barrel are paired engraved for easier handling.
- 3 Irreversible identifiers such as name, logo, barcode, serial number and QR code are laser-marked on the pin and barrel to prevent parts substitution or replacement.
- 4 An optional transparent cover on the barrel further secures the identifier and provides high visibility.
- 5 Two colours on the pin and barrel marking areas provide improved laser marking visibility.
- 6 These seals include the BioSphere bio-additive.
- 7 The seal is designed, tested and certified ISO 17712:2013.



TECHNICAL SPECIFICATIONS

PRODUCT - KLICKER 2K (KLC 2K)

Code	Material	Locking Length	Pin Diameter	Tensile Strength	Marking Area	Max Marking Digits
KLC 2K	Plastic : High-impact Polypropylene (PP) Pin & Bush : Hardened Steel	52 mm (2.0 in)	Ø 7 mm (0.3 in)	≥1000 kgf (≥2204.6 lbf)	Pin: 5 x 40 mm (0.2 x 1.7 in) Barrel: 10 x 24 mm (0.4 x 0.9 in)	Serial no : 8 Barcode : 8

PACKAGING

Carton	Quantity	Dimensions (mm)	Gross Weight (kg)	Volume (m ³)	Standard Solid Colours
No cover Inner	250	505 x 337 x 141 (19.8 x 13.3 x 5.6 in)	17.2 (37.9 lb)	0.024 (0.8 cu.ft.)	Body : WH BL YL GN OR RD BK Marking flap : WH
Cover Inner		508 x 345 x 160 (20.0 x 13.6 x 6.3 in)	19 (41.9 lb)	0.028 (1.0 cu.ft.)	For colour customisations, kindly contact us for further information.

Updated Date : 06 May 2024